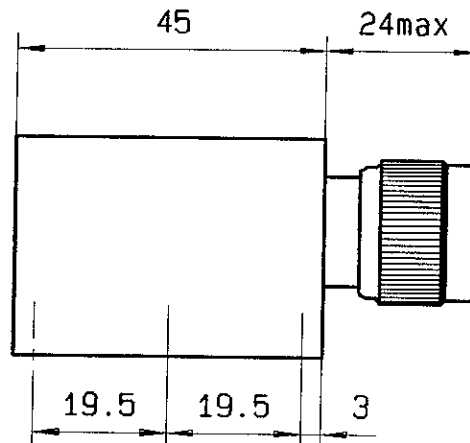
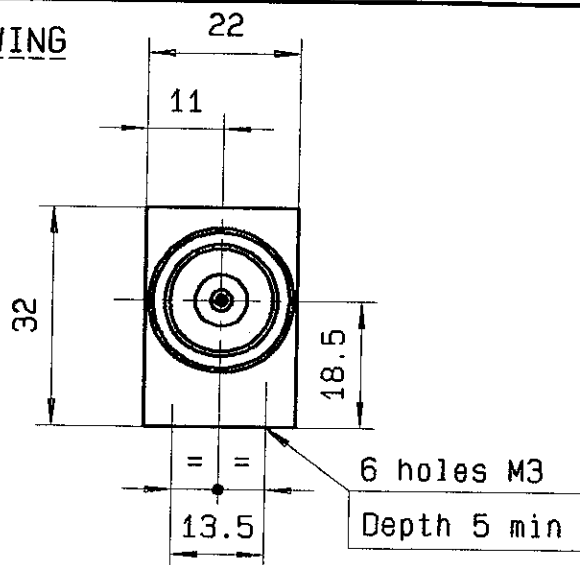


**RADIALL****R404870000****TECHNICAL  
DATA SHEET****TITLE: 50 W    4GHZ    N/m    COAXIAL TERMINATION****LTR. B**DRAWING

General tolerances: +/- 0.5 mm

ELECTRICAL CHARACTERISTICS

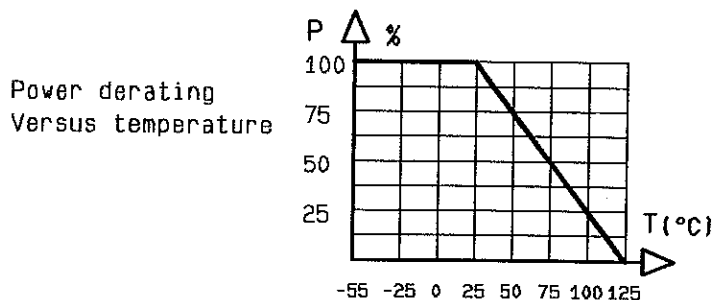
FREQUENCY RANGE	: DC - 4GHz
IMPEDANCE	: 50 Ohms
DC RESISTANCE	: 50 Ohms ± 5%
AVERAGE POWER HANDLING	: 25 W at 25°C
PEAK POWER HANDLING	: 50 W mounted on infinite heatsink
V.S.W.R :	DC - 2 GHz : <= 1.10
	2 - 4 GHz : <= 1.20

MECHANICAL CHARACTERISTICS

CONNECTOR	: N male per MIL C 39012
MAXIMUM WEIGHT	: 140 grams

ENVIRONMENTAL CHARACTERISTICS

OPERATING TEMPERATURE RANGE (°C)	: -55 , +125
STORAGE TEMPERATURE RANGE (°C)	: -55 , +125



Tentative data subject to change without notice

PEN <b>95182/3</b>	QUALITY Dpt App.				
	MO B				
PAGE 1/1	DATE 01.02.91	NAME KL	B	New format	03.11.92 PG
LTR			REVISIONS		DATE APP.